

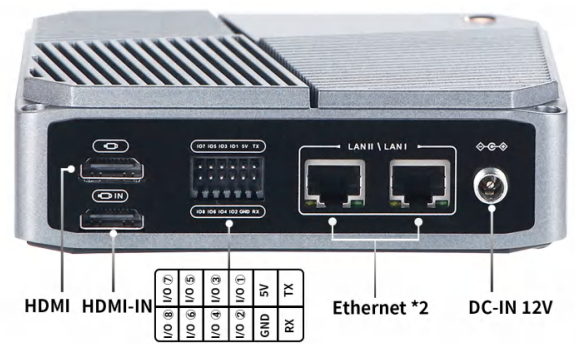
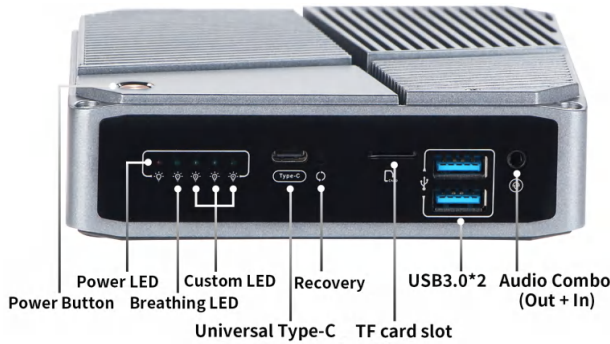
Interface Layout



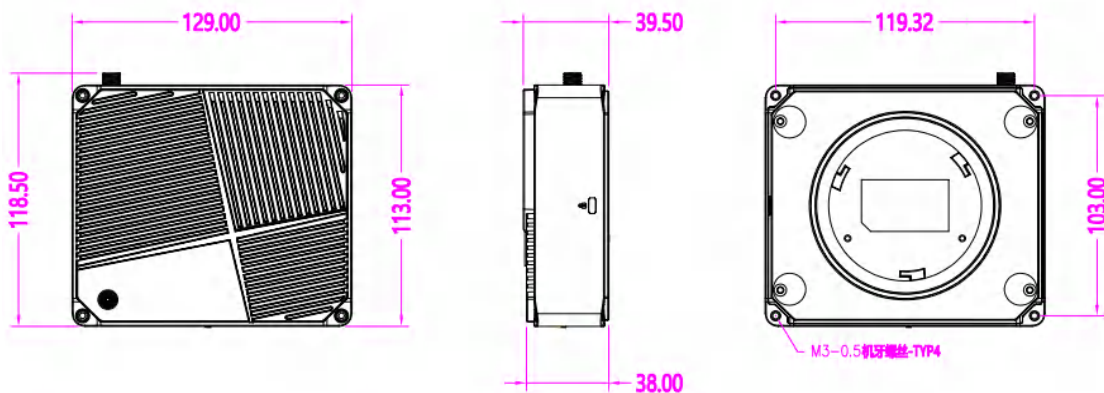
Product Features

- 8nm advanced manufacturing process, 8-core 64-bit architecture, delivering high performance and low power consumption.
- Equipped with ARM Mali-G610 MC4 GPU and a dedicated 2D graphics acceleration module.
- 6TOPS NPU, empowering various AI scenarios.
- Supports 8K video encoding and decoding, and supports video input.
- Supports hardware decoding of up to 8 streams of 1080P@30Hz video feeds
- Equipped with built-in multi-channel I/O interfaces and supports custom compilation.
- Boasts a powerful image processing ability with a 48MP ISP.
- Comes with a wealth of high-speed interfaces (PCIe Gigabit Ethernet), facilitating easy expansion.
- Supports Ubuntu 22.04 operating systems.

Interface Layout



Product Dimension



System	SOC	4*Cortex-A76 + 4*Cortex-A55
	CPU	RK3588
	NPU	6TOPS (Supports built-in 13~26 TOPS AI accelerator stick)
	Memory	8GB/16GB
	Storage/Extension	EMMC 64GB/128GB; 2*SSD (M.2 2280 SATA/NVME)
Video	GPU	Mali-G610
	Hardware Encoding/Decoding	JPEG Encoder/Decoder; 8K Video Encoder (H265/H264...) ; 8K 10-bits Video Decoder (H265/H264/VP9/AV1...)
	Display Interfaces	1*HDMI 2.1 ; 1*HDMI in 4K resolution output, up to 8K@60HZ; Supports video input
Network	Ethernet	Dual-Gigabit Ethernet
	Wireless Networks	NOT
I/O	USB	2*USB3.0
	I/O	8pin*GPIO
	Audio	Audio Combo(Out +In)
	Type-c	1*Universal Type-C
Others	Watchdog	Supports customization
	RTC	Supported
Power supply	Power Input	DC 12V - 2 A
	Buttons/Indicators	Red/Green
Physical parameters	Enclosure Dimension	129*113*39mm
	Package Dimension	244*187*62mm
	Net Weight	0.47 KG
	Gross Weight	0.95 KG
Software	Operating System	Ubuntu22.04;
Environment	Working Temperature	Ambient Temperature: -30~60 °C;
	Storage Temperature	Ambient Temperature: 0~40 °C;
	Working/Storage Humidity	Relative Humidity:0~85% (No Condensation) / Relative Humidity:0~85% (No Condensation)
	Certifications	CE; 3C

Product Model	SOC	Memory	Flash	LAN	RS485	RS232	HDMI	I/O	TF	SIM
G6-RK3588-F25	RK3588	16GB LPDDR4	128GB EMMC	2	0	0	2	8	1	0
G6-RK3588-F25	RK3588	8GB LPDDR4	64GB EMMC	2	0	0	2	8	1	0

■ Packing List

Accessories	Description
Power Adapter	DC 12V - 2 A
WiFi Antenna	SMA*1
VESA bracket Kit	VESE Bracket*1,Accessory Screw Pack*1,Foot pads*4
User Manual	Universal Version*1
Certificate of Conformity	Universal Version*1

■ Optional Accessories

Accessories	Description
128GB SATA SSD	S423F128G, M.2 2280 SATA3 SSD 6Gbps(Operating Temperature:0°C to 70°C)
256GB SATA SSD	S423F256G, M.2 2280 SATA3 SSD 6Gbps(Operating Temperature:0°C to 70°C)
512GB SATA SSD	S423F512G, M.2 2280 SATA3 SSD 6Gbps(Operating Temperature:0°C to 70°C)
128GB NVME SSD	XP1000F128G,M.2 2280 PCIE GEN3 SSD 8Gbps(Operating Temperature:0°C to 70°C)
256GB NVME SSD	XP1000F256G,M.2 2280 PCIE GEN3 SSD 8Gbps(Operating Temperature:0°C to 70°C)
512GB NVME SSD	XP1000F512G,M.2 2280 PCIE GEN3 SSD 8Gbps(Operating Temperature:0°C to 70°C)