

# A Series-Model A10

10.4" Touch Panel Pc



## Features

- ARM® Cortex-A17 Rk3288 Quad core processor
- 10 points touch screen
- Customizable RAM/Flash
- Optional android/ubuntu OS
- Can be embedded or vesa mount
- Apply for Digital Signage/KIOSK/Queuing System

## Introduction

A 10 is a compact touch panel pc equipped with ARM® Cortex-A17 Rk3288 Quad core processor, onboard 2GB RAM and 16GB flash, 10.4" Industrial LED display and multi-touch glass sensor.

A10 panel pc also support various OS including Linux and Android to ensure easy deployment for diverse applications, which makes it ideal for POS, Digital signage, MES Terminal.

## Specification

### General

|                 |  |
|-----------------|--|
| - Certification | CE,FCC,ROHS,ISO                                  |
| - Dimensions    | 283*225.2*56 mm                                  |
| - Power Input   | AC100-240V.50-60HZ                               |
| - Power Output  | DC12V 2A~5A                                      |
| - Mount Options | Wall Mount/Embedded<br>Vesa Mount/Vertical Stand |
| - Weight (Net)  | 4.2kg  |

### System Kernel

|              |   |
|--------------|---|
| - CPU        | ARM® Cortex-A17 Rk3288<br>Quad core processor |
| - Memory     | DDR3 2GB                                      |
| - Flash      | Onboard 16GB EMMC                             |
| - OS Support | Android/Ubuntu                                |

### Interface

|                |  |
|----------------|--|
| - LAN          | 1*RJ45 (GigE Vision)                         |
| - Display port | 1*HDMI output                                |
| - Audio        | 1*MIC  |
| - Button       | 1*Writer                                     |
| - RTC          | COMS for RTC<br>(Support Automatic Power Up) |
| - USB          | 4*USB (one of USB is OTG)                    |

### LED Display

|                     |              |
|---------------------|--------------|
| - Interface Type    | LVDS         |
| - Panel size        | 10.4"        |
| - Max. Resolution   | 1024*768     |
| - Max. Colors       | 16.7M        |
| - Treatment         | Anti-Glare   |
| - Brightness        | 500nits      |
| - Viewing Direction | Full Viewing |
| - Aspect Ratio      | 4:3          |

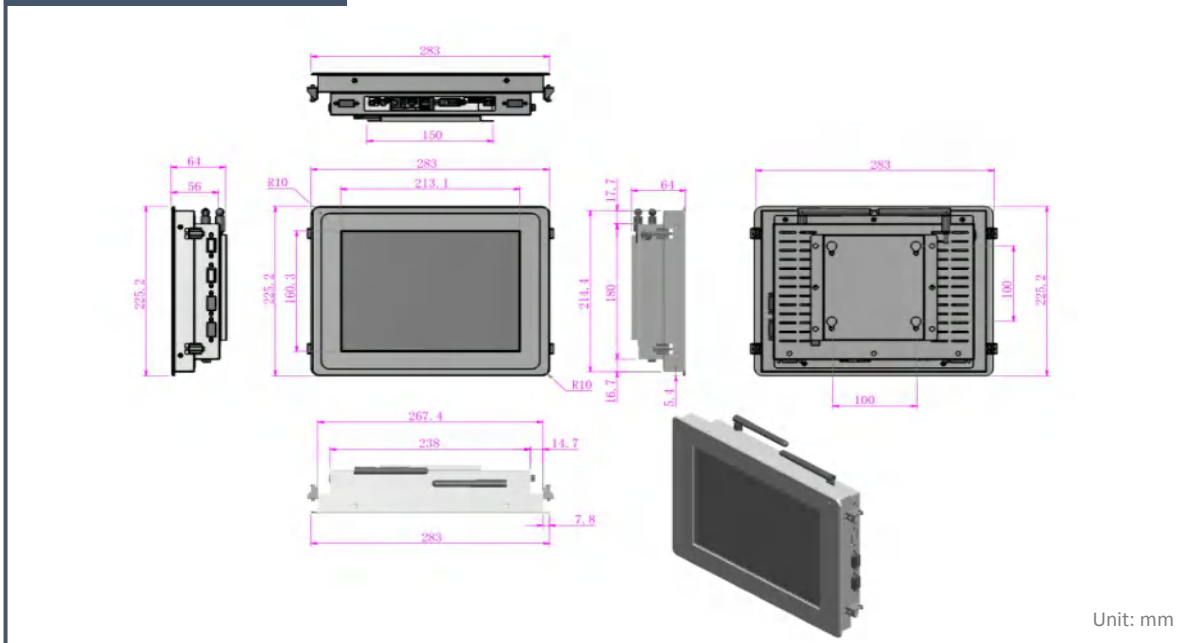
### Touchscreen

|                |                  |
|----------------|------------------|
| - Touch Points | 10 Points        |
| - Type         | Capacitive Touch |

### Environment

|                         |            |
|-------------------------|------------|
| - Operation Temperature | -20 ~ 70°C |
| - Storage Temperature   | -10 ~ 60°C |
| - Operation Humidity    | 10% ~ 80%  |
| - Storage Humidity      | 10% ~ 90%  |

Dimension



Product Picture



Embedded OS



Android 7.1/10.0



Ubuntu 18.04



Debian 9