

A Series-Model A10

10.4" Touch Panel PC



Features

- ARM® Cortex-A17 RK3288 Quad core processor
- 10 points touch screen
- Customizable RAM/Flash
- Optional Android/ubuntu OS
- Can be embedded or vesa mount
- Apply for Digital Signage/KIOSK/Queuing System

Introduction

A10 is a compact touch panel PC equipped with ARM® Cortex-A17 RK3288 Quad core processor, onboard 2GB RAM and 16GB flash, 10.4" Industrial LED display and multi-touch glass sensor.

A10 panel PC also support various OS including Linux and Android to ensure easy deployment for diverse applications, which makes it ideal for POS, Digital signage, MES Terminal.

Specification

General	
- Certification	CE,FCC,ROHS,ISO
- Dimensions	283*225.2*56 mm
- Power Input	AC100-240V.50-60Hz
- Power Output	DC12V 2A~5A
- Mount Options	Wall Mount/Embedded Vesa Mount/Vertical Stand
- Weight (Net)	3.6kg

System Kernel	
- CPU	ARM® Cortex-A17 RK3288 Quad core processor
- Memory	DDR3 2GB
- Flash	Onboard 16GB EMMC
- OS Support	Android/Ubuntu

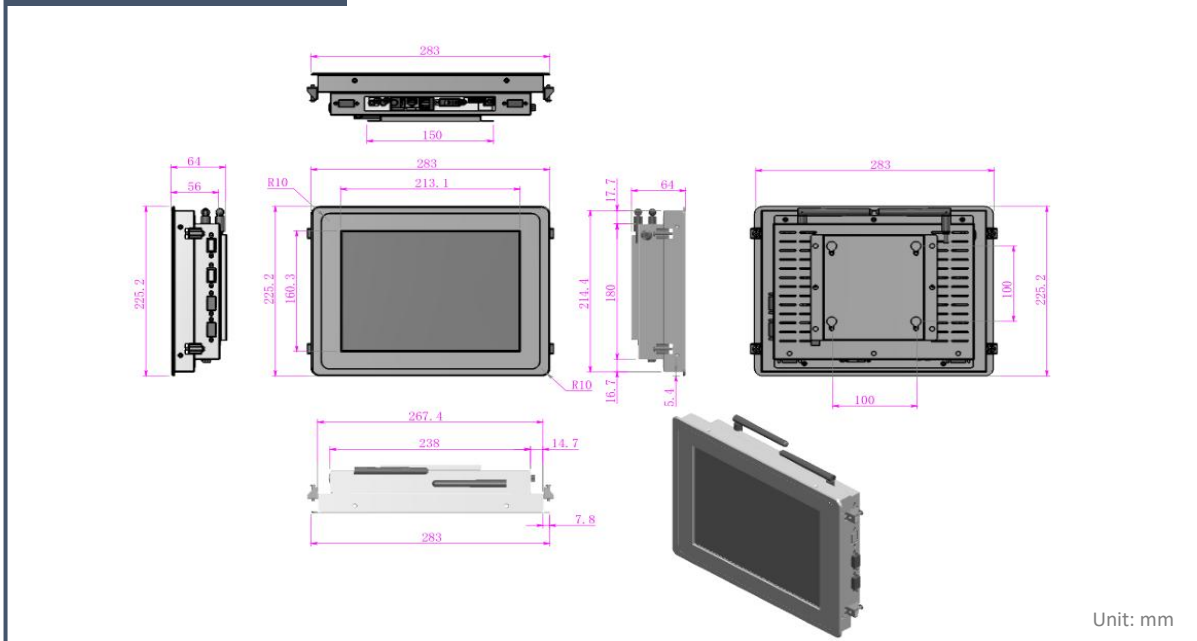
Interface	
- LAN	1*RJ45 (GigE Vision)
- Display port	1*HDMI output
- Audio	1*MIC
- Button	1*Writer
- RTC	COMS for RTC (Support Automatic Power Up)
- USB	2~4*USB (one of USB is OTG)

LED Display	
- Interface Type	LVDS
- Panel size	10.4"
- Max. Resolution	1024*768
- Max. Colors	16.7M
- Treatment	Anti-Glare
- Brightness	500nits
- Viewing Direction	Full Viewing
- Aspect Ratio	4:3

Touchscreen	
- Touch Points	10 Points
- Type	Capacitive Touch

Environment	
- Operation Temperature	-20 ~ 70°C
- Storage Temperature	-10 ~ 60°C
- Operation Humidity	10% ~ 80%
- Storage Humidity	10% ~ 90%

Dimension



Product Picture



Embedded OS



Android 7.1/10.0



Ubuntu 18.04



Debian 9